

Joint pieces

Steel / Stainless Steel, for fork joints GN 751

SPECIFICATION

Steel

- Tensile strength class 5
- zinc plated, blue passivated

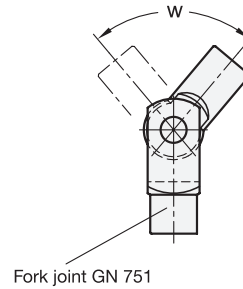
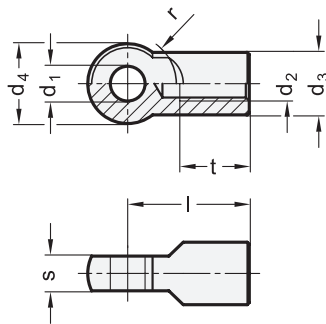
Stainless Steel AISI 303 NI

INFORMATION

Joint pieces GN 752 are designed to be used in combination with for heads DIN 71752 (see page 1152) and GN 751 (see page 1148) respectively fork joints.

TECHNICAL INFORMATION

- ISO-Fundamental Tolerances (see page A21)
- Stainless Steel characteristics (see page A26)
- Strength values of nuts (see page A20)



Fork joint GN 751

GN 752

Description	d1 H9	d2	d3	d4	l	r	s -0.2	t min.	w min.	∠
GN 752-6-M6	6	M 6	10	14	22	8.5	6	12	218°	11
GN 752-8-M8	8	M 8	14	18	29	12	8	16	218°	27
GN 752-10-M10	10	M 10	18	23	35	14	10	20	212°	56
GN 752-12-M12	12	M 12	20	27	43	17	12	24	216°	88
GN 752-14-M14	14	M 14	24	30	50	19	14	28	214°	100
GN 752-16-M16	16	M 16	26	36	56	22	16	32	216°	197

GN 752-NI

STAINLESS STEEL

Description	d1 H9	d2	d3	d4	l	r	s -0.2	t min.	w min.	∠
GN 752-6-M6-NI	6	M 6	10	14	22	8.5	6	12	218°	11
GN 752-8-M8-NI	8	M 8	14	18	29	12	8	16	218°	28
GN 752-10-M10-NI	10	M 10	18	23	35	14	10	20	212°	56
GN 752-12-M12-NI	12	M 12	20	27	43	17	12	24	216°	88
GN 752-14-M14-NI	14	M 14	24	30	50	19	14	28	214°	141
GN 752-16-M16-NI	16	M 16	26	36	56	22	16	32	216°	197